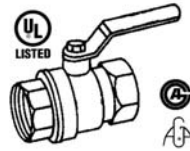




1/4" - 4"



1/4" - 2"

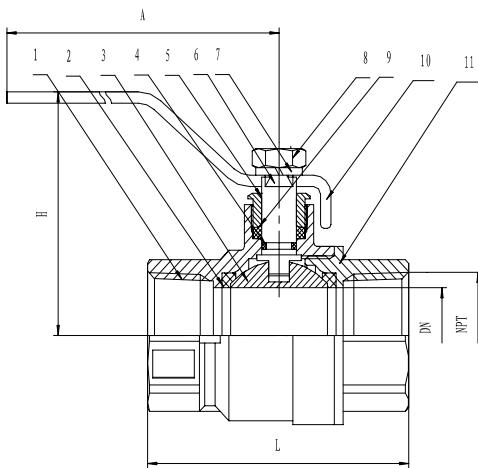


ISO 9001 Manufacturer



FEATURES

- Suitable for full range of gases
- Minimal pressure drop due to large full size ports
- Bottom loaded, pressure retaining stem
- Max working pressure rated 600 WOG, 150 WSP & 175 PSIG & 1/2G 2G 5G
- Viton O-ring to prevent stem leakage
- Temperature range up -40° C to 65° C
- Fast 1/4 turn open or close operation
- Low operating torque
- Each valve individually tested
- Forged Brass-for more strength (4" casting only)
- Hard chromium plated solid ball
- Bottom entry, blow-out proof stem



CONSTRUCTION DETAIL		
POS	PART NAME	MATERIAL
1	BODY	BRASS C37700
2	SEALING WASHER	TEFLON
3	CHROME PLATED BALL	BRASS C37700
4	O-RING	BUNA-N
5	PACKING NUT	BRASS C37700
6	STEM	BRASS C37700
7	LOCK WASHER	STAINLESS STEEL
8	HANDLE NUT	CHROME PLATED STEEL
9	BALL PACKING	TEFLON
10	ZINC-PLATED STEEL HANDLE	CARBON STEEL
11	CAP	BRASS C37700

SIZE	ITEM #	WEIGHT	Dimension (mm)							List Price (CAD)
			L	DN	H	A	NPT	Box	Case	
1/4"	WFN-01	127g	44	10	42.5	85	6.4	12	120	
3/8"	WFN-02	128g	44.5	10	42.5	85	9.5	12	120	
1/2"	WFN-03	213g	58	15	46	85	12.7	10	100	
3/4"	WFN-04	328g	64	19	60	109	19	8	80	
1"	WFN-05	640g	75.5	25	64	109	25.4	6	48	
1 1/4"	WFN-06	764g	87.5	32	64	143	31.7	4	36	
1 1/2"	WFN-07	1027g	98.5	40	69	143	66.8	4	24	
2"	WFN-08	1501g	109	50	77	143	38.1	6	12	
2 1/2"	WFN-09	3184g	142	64	108	197	63.5	3	6	
3"	WFN-10	5032g	162	75	123	212	76	3	6	
4"	WFN-11	8900g	198	99	145	236	101.6	1	2	

Teflon & Viton is registered trademark of Dupont. We reserve the right to alter technical details without notice.