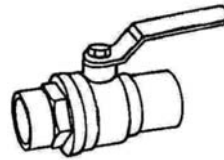




1/2" - 1"



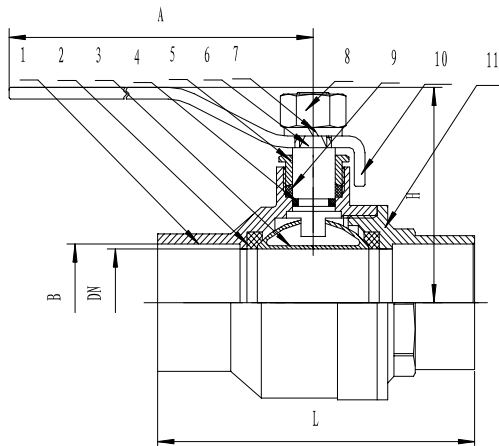
1/2" - 2"



ISO 9001 Manufacturer

FEATURES

- Suitable for full range of liquids
- Minimal pressure drop due to large full size ports
- Bottom loaded, pressure retaining stem
- Max working pressure rated 600 psi burst, 150 WSP & 125 PSIG
- Viton O-ring to prevent stem leakage
- Temperature range up to 82° C
- Fast 1/4 turn open or close operation
- Low operating torque
- Each valve individually tested
- Forged Brass - for more strength
- Hard chromium plated solid ball
- Bottom entry, blow-out proof stem



CONSTRUCTION DETAIL

POS	PART NAME	MATERIAL
1	BODY	BRASS C37700
2	SEALING WASHER	TEFLON
3	CHROME PLATED BALL	BRASS C37700
4	O-RING	BUNA-N
5	PACKING NUT	BRASS C37700
6	STEM	BRASS C37700
7	LOCK WASHER	STAINLESS STEEL
8	HANDLE NUT	CHROME PLATED STEEL
9	BALL PACKING	TEFLON
10	ZINC-PLATED STEEL HANDLE	CARBON STEEL
11	CAP	BRASS C37700

SIZE	ITEM #	WEIGHT	Dimension (mm)							List Price (CAD)
			L	DN	H	A	B	Box	Case	
1/2" SWT	WFC-01	185g	55	15	46	85	15.9	10	100	
3/4" SWT	WFC-02	319g	71.5	19	60	109	22.3	8	80	
1" SWT	WFC-03	471g	83	25	64	109	28.7	6	48	
1 1/4" SWT	WFC-04	820g	104	32	64	143	35	4	36	
1 1/2" SWT	WFC-05	1123g	110	40	69	143	41.4	4	24	
2" SWT	WFC-06	1676g	135.5	50	77	143	54	6	12	
2 1/2" SWT	WFC-07	2987g	170	64	108	197	66.8	3	6	
3" SWT	WFC-08	3993g	181	75	123	212	79.5	3	6	
4" SWT	WFC-09	8400g	244	99	145	236	104.9	2	2	

Teflon & Viton is registered trademark of Dupont. We reserve the right to alter technical details without notice.

WFSC series is a T-handle ball valve style